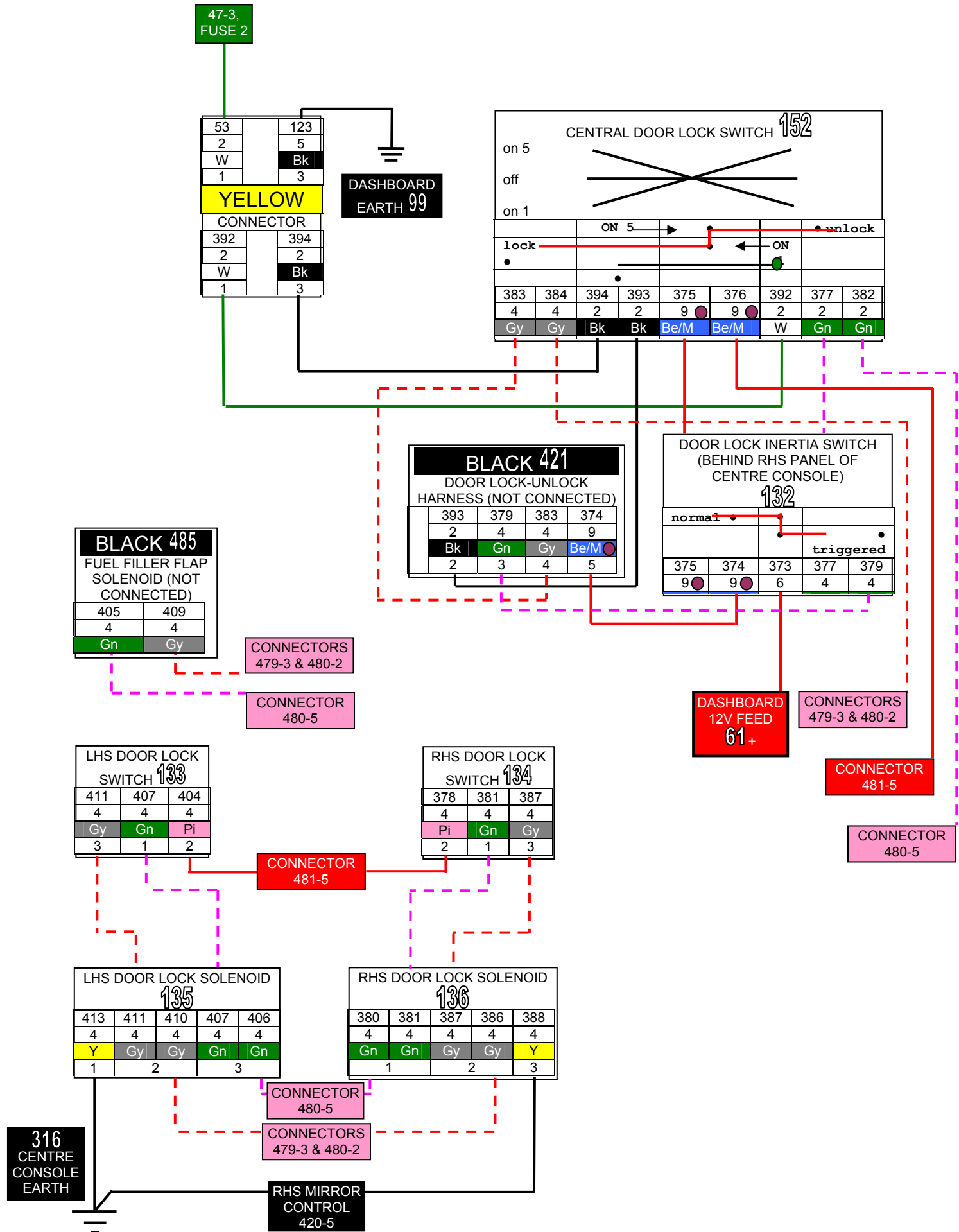


RENAULT FUEGO: DOOR WIRING HARNESSSES

11A



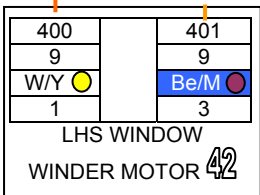
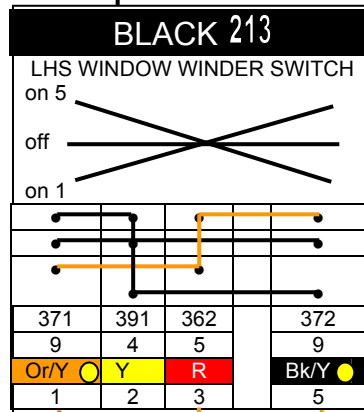
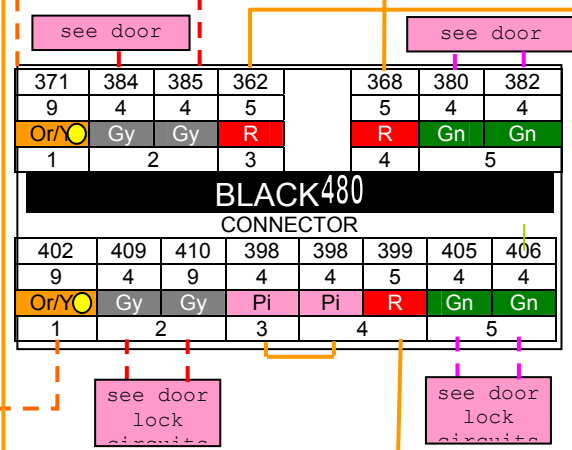
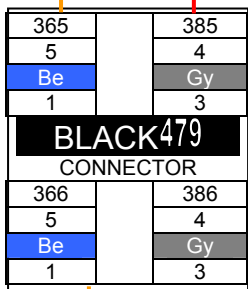
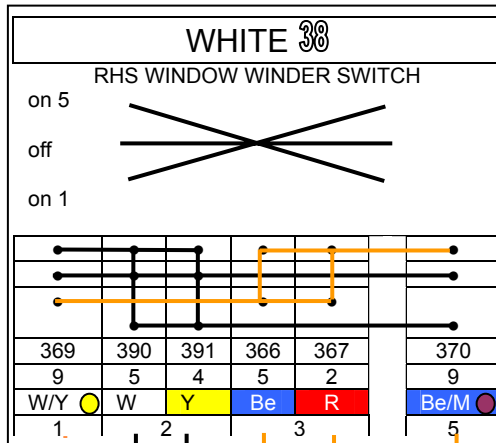
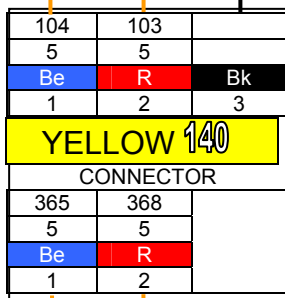
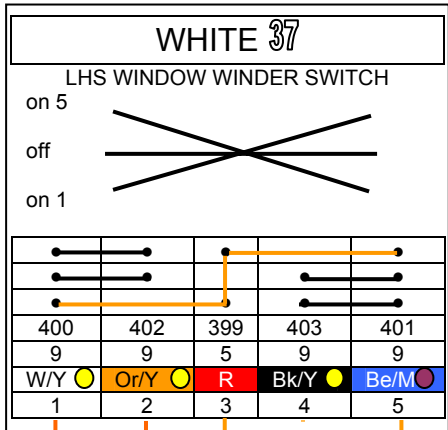
LHS window winder RHS winder and mirror controls

11B

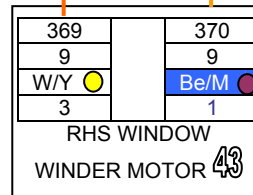
48-2, FUSE 10, RELAY C

48-1, FUSE 9, RELAY C

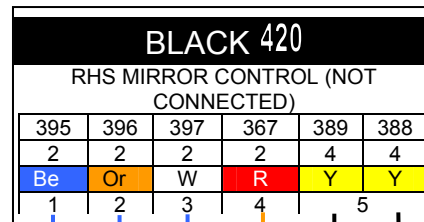
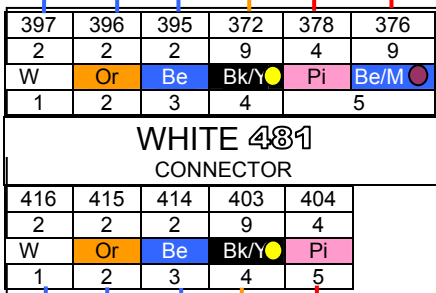
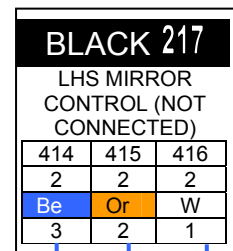
DASH-BOARD EARTH 99



CONNECTORS 479, 480 AND 481 LIE BELOW THE AIR CONDITIONING PAN MOTOR



RHS DOOR LOCK SOLENOID 136-3



316 CENTRE CONSOLE EARTH