

BLACK 47

11	R/Y ●	25	9	fuse 1, relay A	hazard warning lights switch 34-6
9	W/Gn ●	68	1	relay A	instrument panel 32-3
8	W/Y ●	60	9	relay A	direction indicator switch 60-1
	W/Y ●	59	9		hazard warning lights switch 34-9
7	Y	61	4	relays A & B	fuse and relay panel 46-2
5	R	80	2	relay B	rear screen demister switch 35-2
4	W	*	*	fuse 2	illumination? clock 123-5
	W/Y ●	56	2		fuse and relay panel 49-1
3	W	53	2	fuse 2	illumination central door lock switch 152-4
	W	52	2		fuse and relay panel 45-5
2	W	44	2	fuse 2	instrument panel 30-6
	Y	46	4		right side & tail lights 69
1	W	43	2	fuse 3, posts 46-10, 46-11	left side & tail lights 68; number plate lights 70

GREEN 46

11	W/Y ●	40	9	fuse 3, post 47-1	fuse and relay panel 49-3
	W	41	2		illumination hazard warning lights switch 34-7
10	W	49	2	fuse 3, post 47-1	illumination rear screen demister switch 35-7
	W	48	2		illumination rear screen wiper switch 171-7
8	Be/M ●	6	9	+12 volt feed D	hazard warning lights switch 34-4
5	Y	91	4	relays C & E	instrument panel 31-1
4	Y	88	4		DASHBOARD EARTH 99
3	Bk	89	2	relays C & E	windscreen wiper relay 114
2	Y	61	4	relays C & E	fuse and relay panel 47-7
1	R	14	5	fuses 15, 16 & 19, relays C, E & F, posts 45-9, 10, 11	ignition switch 53-2: this and 15 R 5 wire connect both on fuse and relay panel and at ignition switch

RED 45

11	R	15	5	fuses 15, 16 & 19, relays C, E & F, post 46-1	ignition switch 53-2: see above
10	Bk/Y ●	18	9		through bulkhead to idle cutout & alternator
9	Bk	13	2		rear screen demister switch 35-1
	R/Y ●	12	9	through bulkhead to AEI module	
8	Gy	24	4	fuse 17	car radio 57 & clock 123
7	O	138	2	relay F	RHS door switch for interior light 41
	O	139	2		LHS door switch for interior light 40
5	W	51	2	relay F	illumination heater-ventilation controls 54 & glove box 55
	W	52	2		fuse and relay panel 47-3
4	Bk	20	5	fuse 17	ignition switch 53-1
3	Gy	136	4	fuse 19	brake lights switch 52
2	Pi	35	4	fuse 18	lighting switch 59
1	Gn	32	4	fuse 18	rear fog light switch 106-1

5A

44 FUSE AND RELAY PANEL

WHITE 49

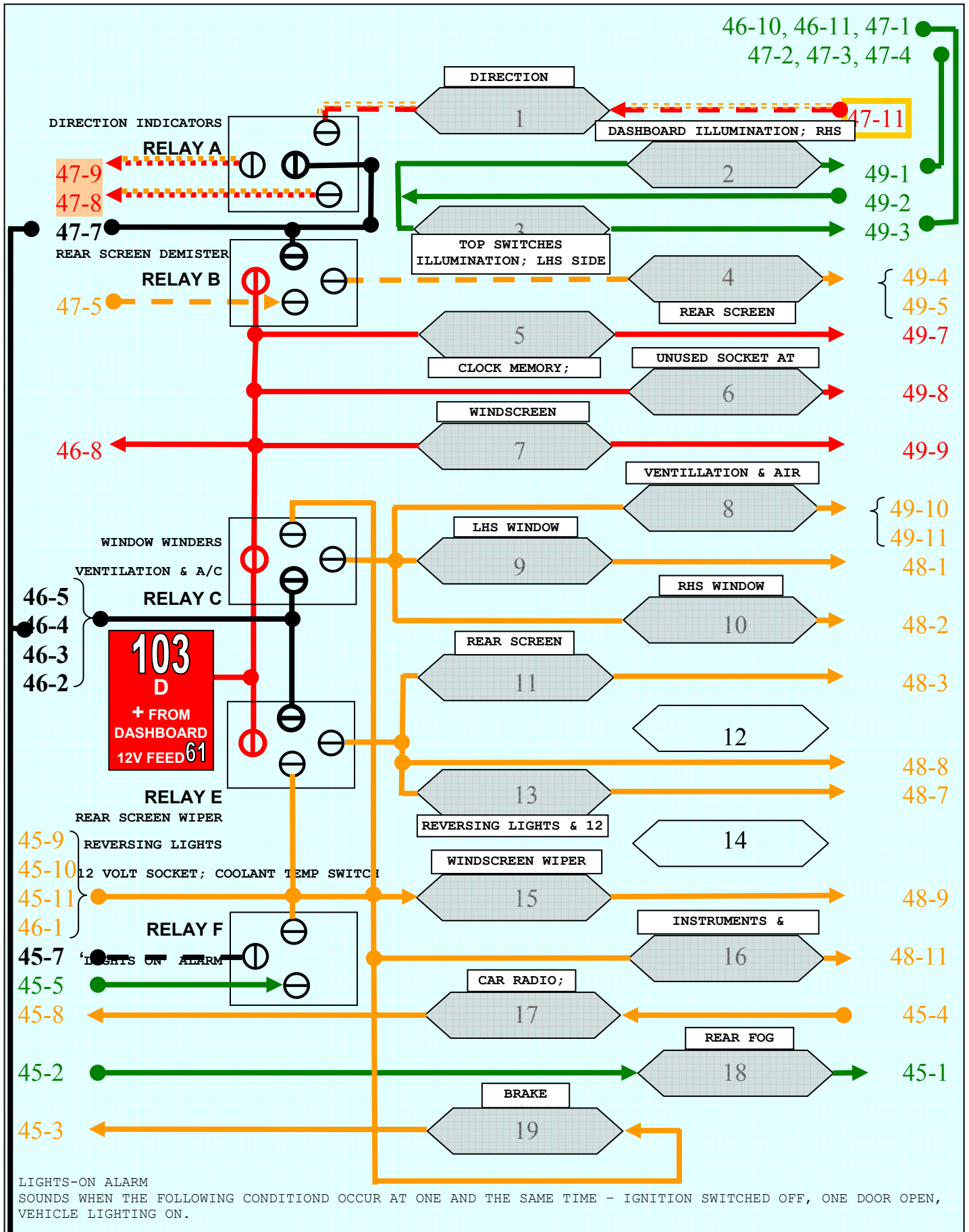
1	W	54	2	fuse 2	illumination 12 volt socket 56
	W/Y ●	56	2		fuse and relay panel 47-4
2	W/Y ●	33	9	fuses 2 & 3	lighting switch 59
3	W	38	2	fuse 3	illumination rear fog lights switch 106-7
	W/Y ●	40	9		fuse and relay panel 46-11
4	Bk	82	5	fuse 4, relay B	rear screen wiper switch 171-10: this and 49-5 wire connect both on fuse and relay panel and at 308 junction rear harness
	Bk	84	5		rear screen demister 66: see above
7	Be	105	4	fuse 5	clock memory 123-3
	Be	107	2		interior lights 62, 63 and 155
8	Gy	86	6	fuse 6	unused socket at rear of boot
9	Pi	109	4	fuse 7	windscreen wiper motor 26-3
10	Be	74	5	fuse 8	connector 286
11	Bk/Y ●	75	4		

YELLOW 48

1	R	103	5	fuse 9, relay C	LHS window winder connector 140-2
2	Be	104	5	fuse 10, relay C	RHS window winder connector 140-1
3	Gy	79	4	fuse 11, relay E	rear screen wiper switch 171-2
7	Gy	77	4	fuse 13, relay E	through bulkhead to reversing lights switch
	Gy	*	*		12 volt socket
8	Gy	193	4	relay E	coolant temp switch 22
9	Pi	297	4	fuse 15	relay for windscreen wipers 144
	Be/M ●	22	9		windscreen wiper/washer switch 58-6
11	R	117	2	fuse 16	instrument panel 32-10
	R	119	2		instrument panel 30-3

BIG YELLOW WIRE

-	Y	3	8	+ from battery via dashboard 12V feed 61	terminal D
---	---	---	---	--	------------



FUSE RATINGS					
1	10A	6	20A	11	15A
2	5A	7	5A	12	-
3	5A	8	30A	13	10A
4	20A	9	15A	14	-
5	10A	10	15A	15	15A
				16	5A
				17	5A
				18	5A
				19	5A

5B